

CONSEW *Since 1898* ®

MODEL 287RB

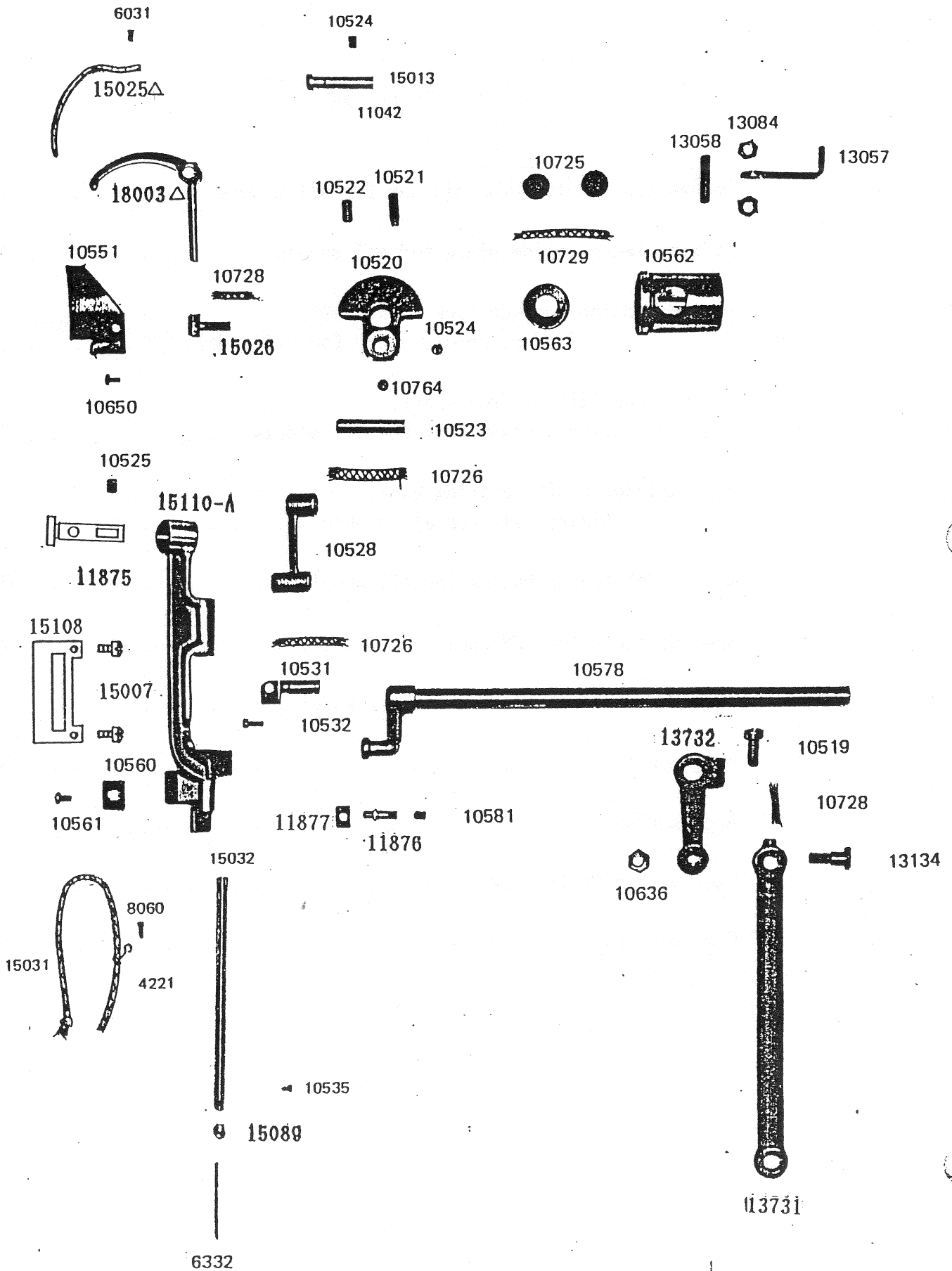
PARTS BOOK

I N D E X

Thread take up lever,needle bar for all models.	1
Lifting lever, slide plate for all models	2
Thread tension,feed driving rock shaft, feeder, needle plate for all models	3
Presser bar,lifting rock shaft, vibrating presser foot for all models	4
Hook driving shaft,rotating hook, timing belt for all models	5
Reverse stitch mechanism for all models	6
Special parts for LCW-8BLV.	7
Face plate,oil regulation for all models.	8
Belt guard.	9
Accessories	10
Feed mechanism for LCW-8BL-1.	12
Feed mechanism for LCW-8BLV-1	13

天秤・針棒関係

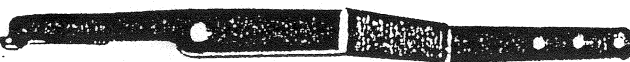
1



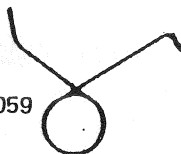
△印は、88LV, 88LV-1には不要

T 10712

13058-A



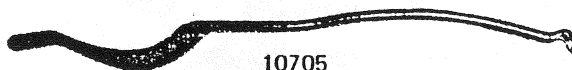
13059



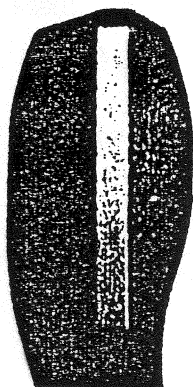
11156



10705



15035



15036



15039

15038



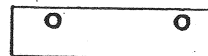
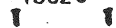
15039



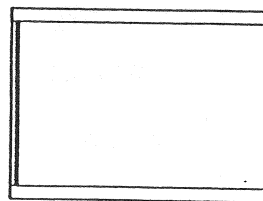
15037



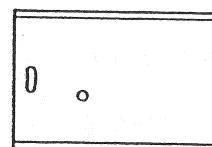
13026



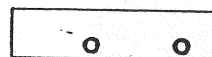
13704



13827



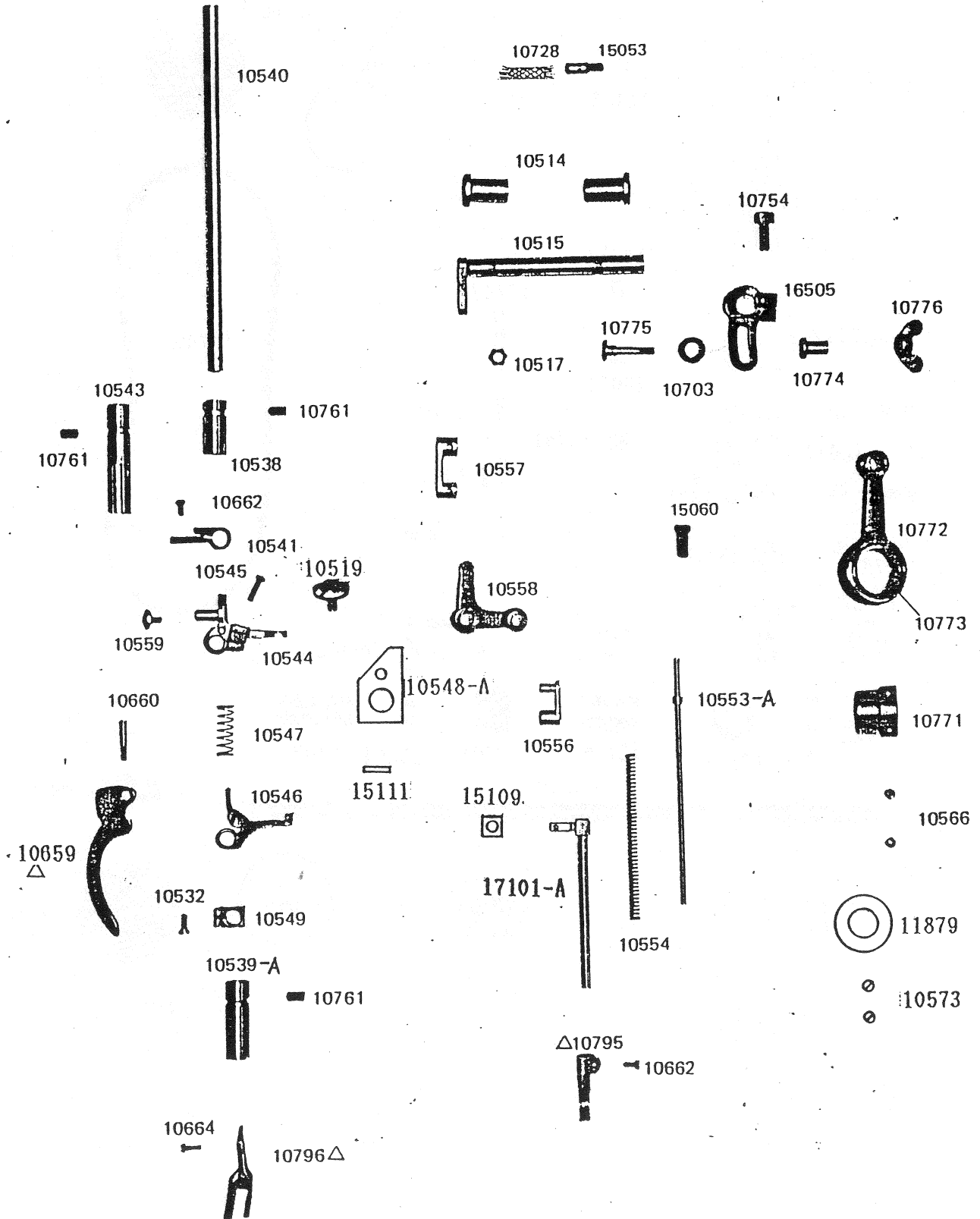
13707

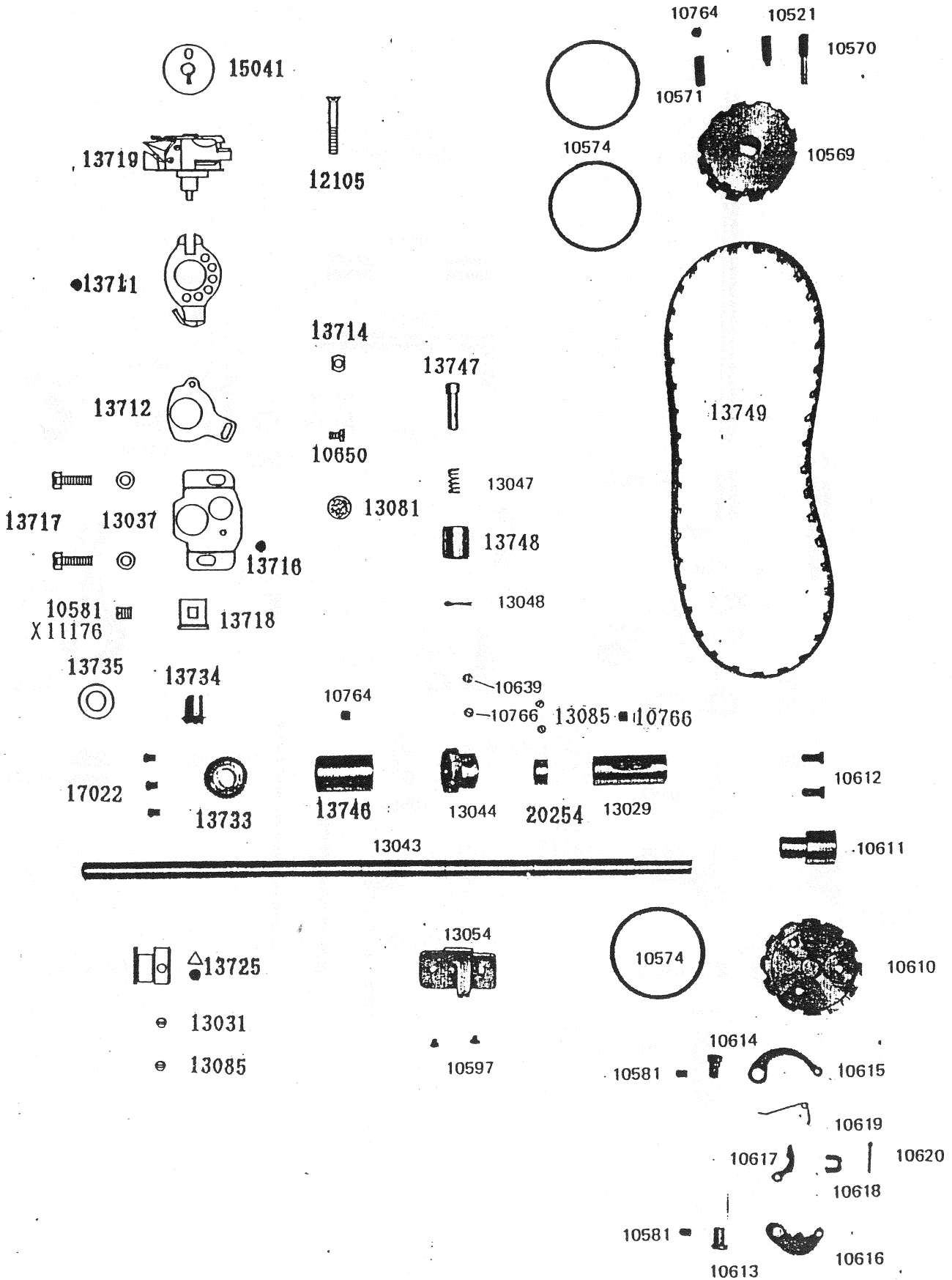


13705

13026



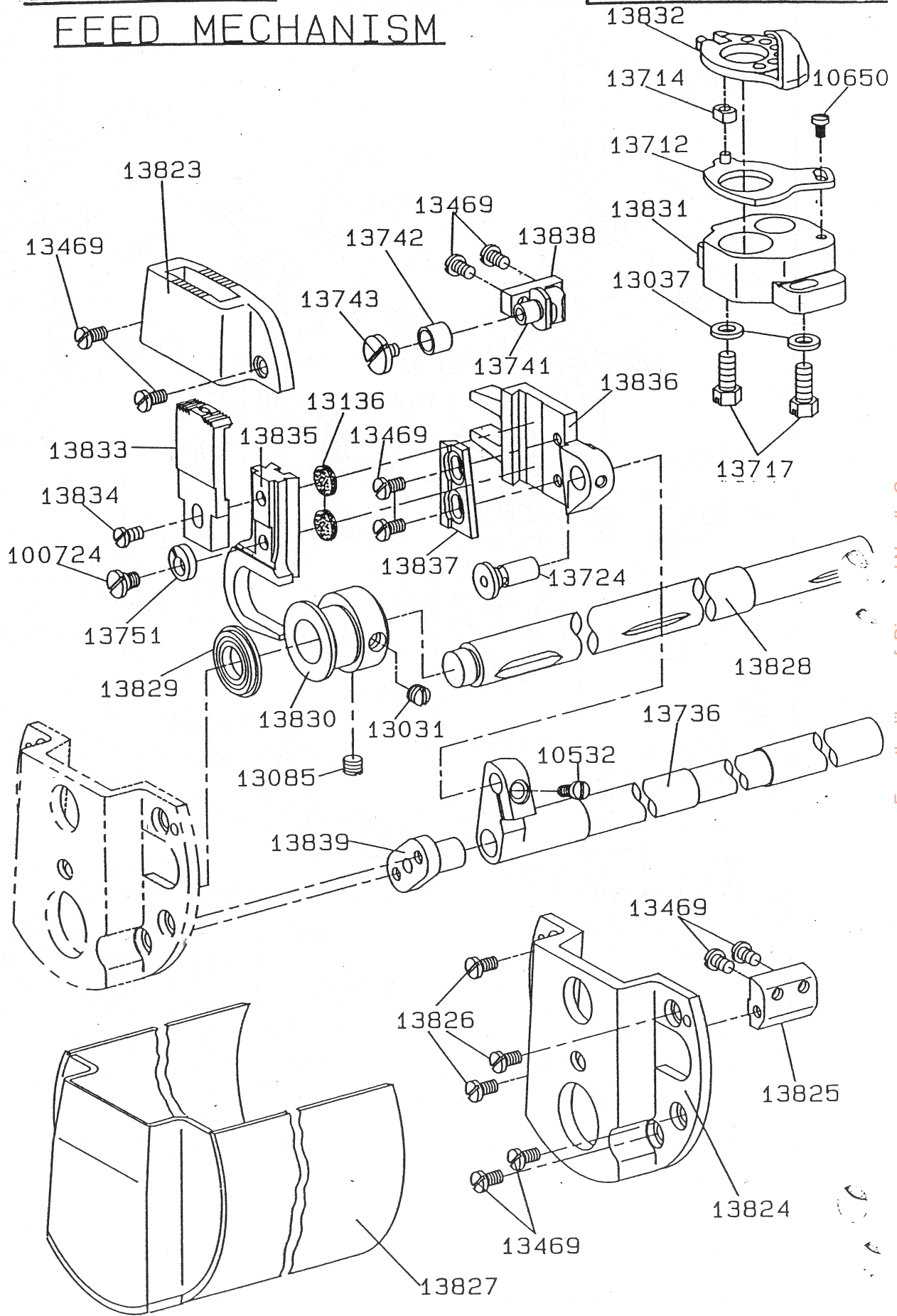




△印は、8BLVには不要
●印は、8BL-1, 8BLV-1には不要

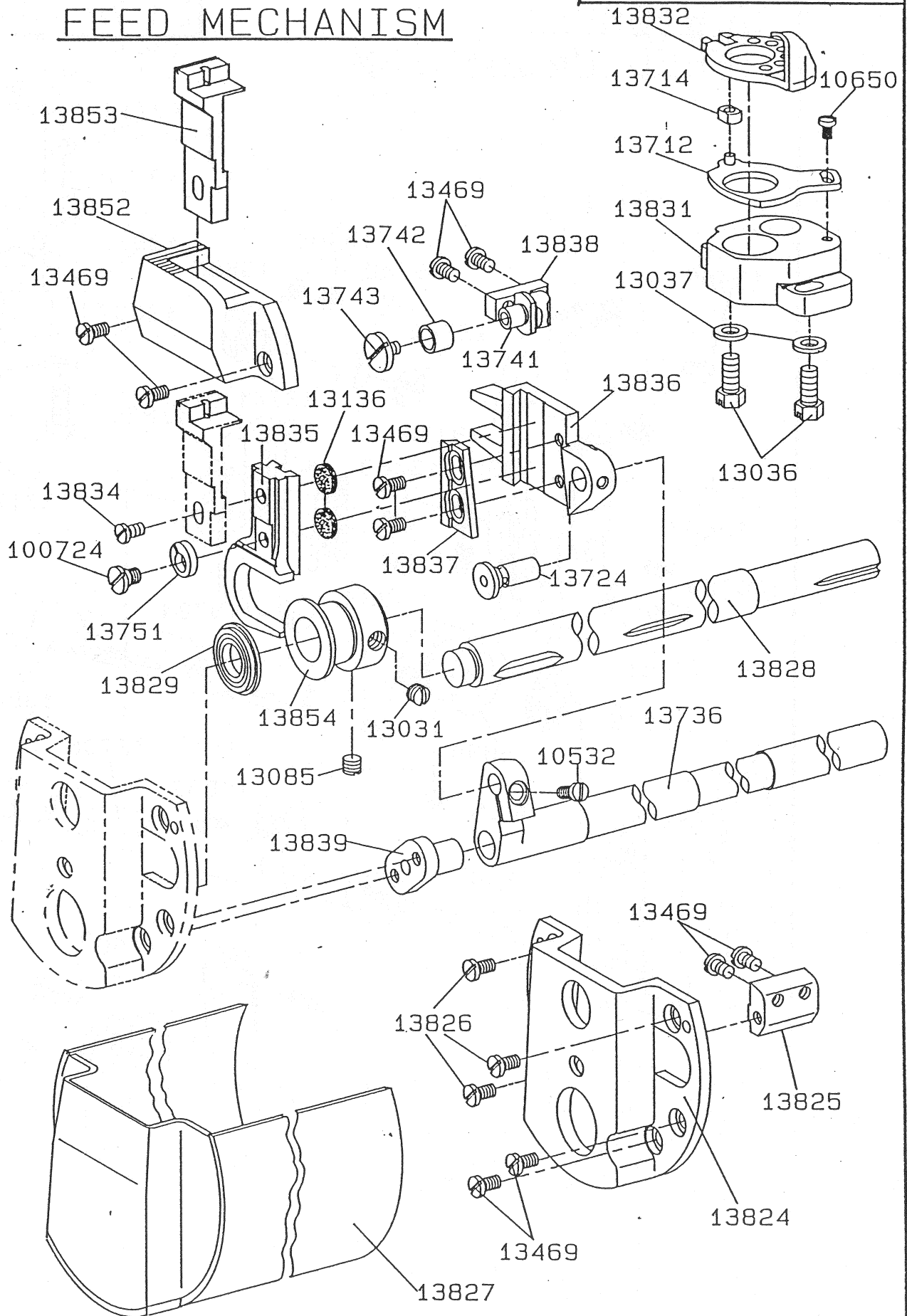
LCW-8BL-1
FEED MECHANISM

LCW-8BL-

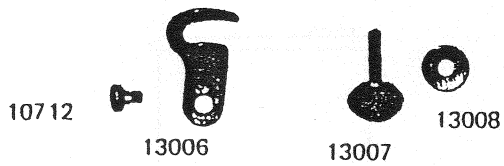
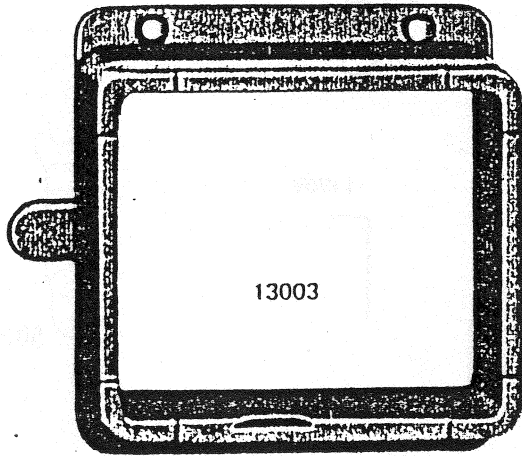
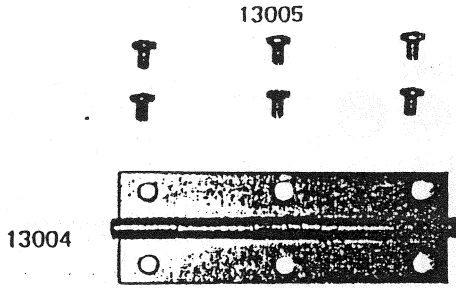


LCW-8BLV-1 FEED MECHANISM

LCW-8BLV-1



1017



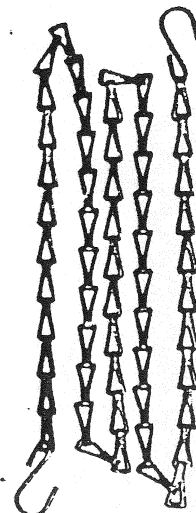
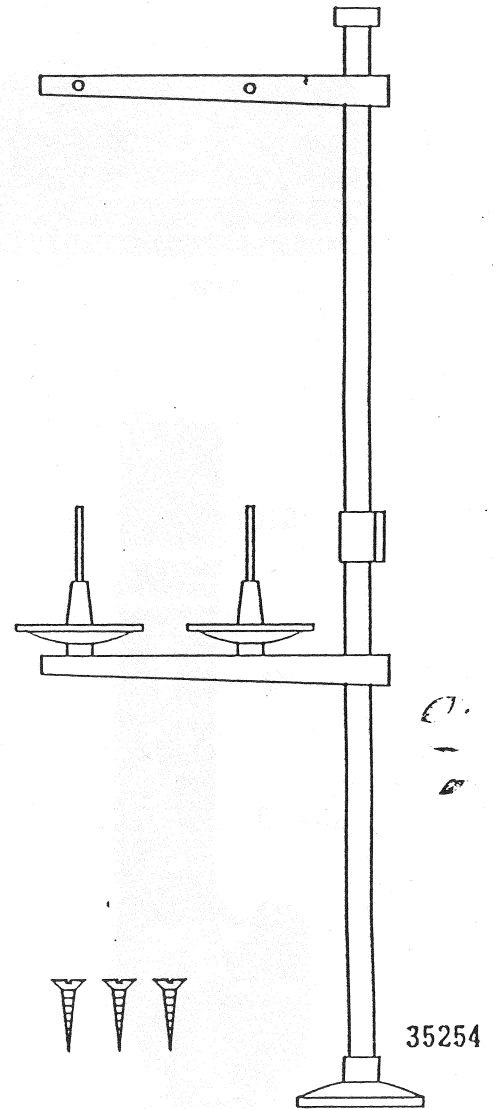
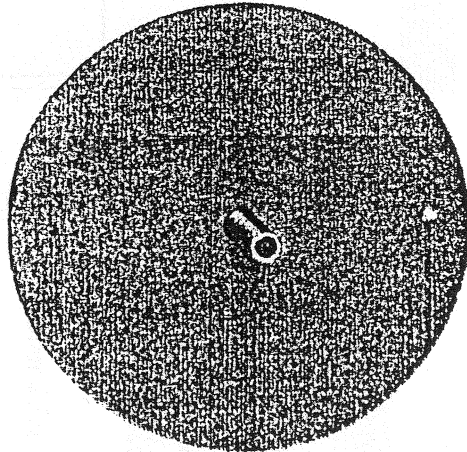
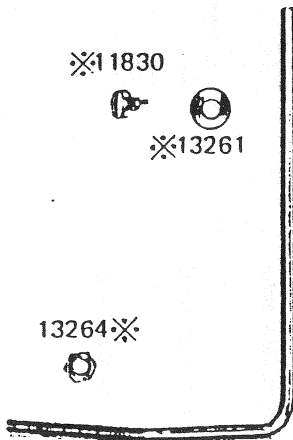
※13263

※13260

※11830

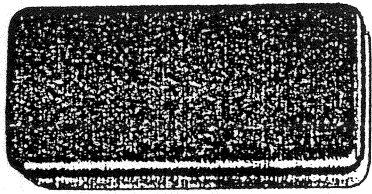
※13261

13264※

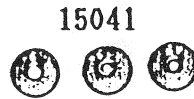


1017

1017



8132



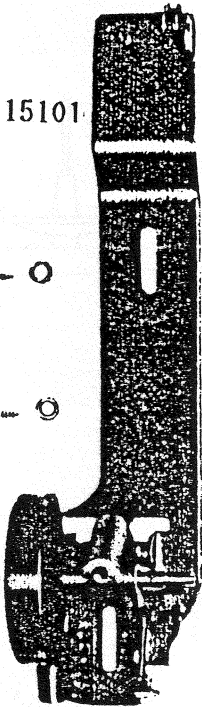
15041



6332



10748



15101



8118



8120



8121

11969

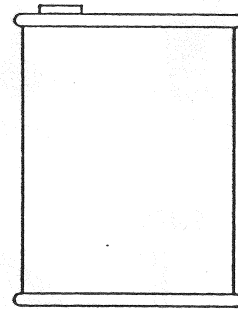


50285

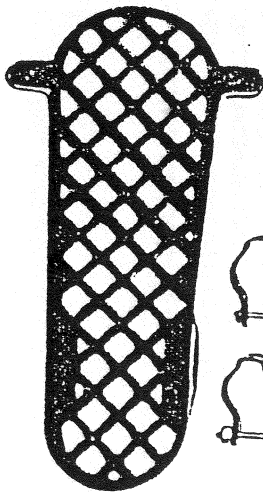
13094



8125

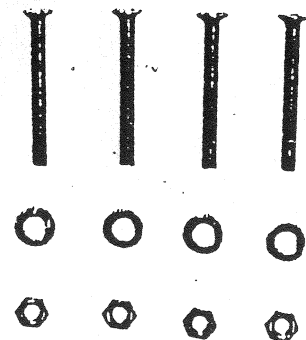


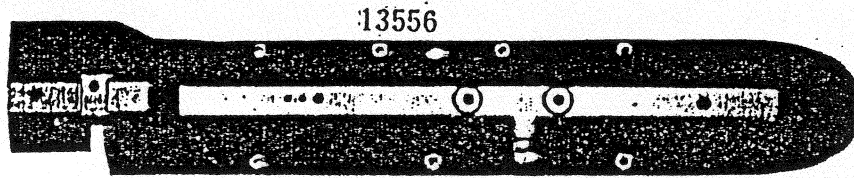
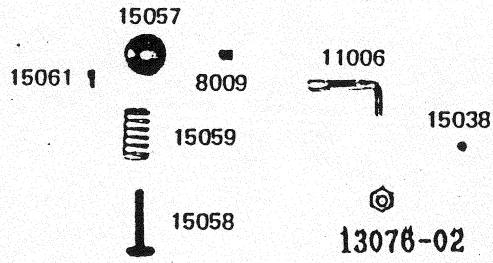
11193



8124

13096





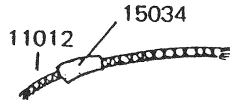
11007



15004



15007



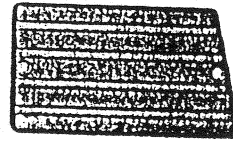
10597

8040

15086

11142

15006



11004

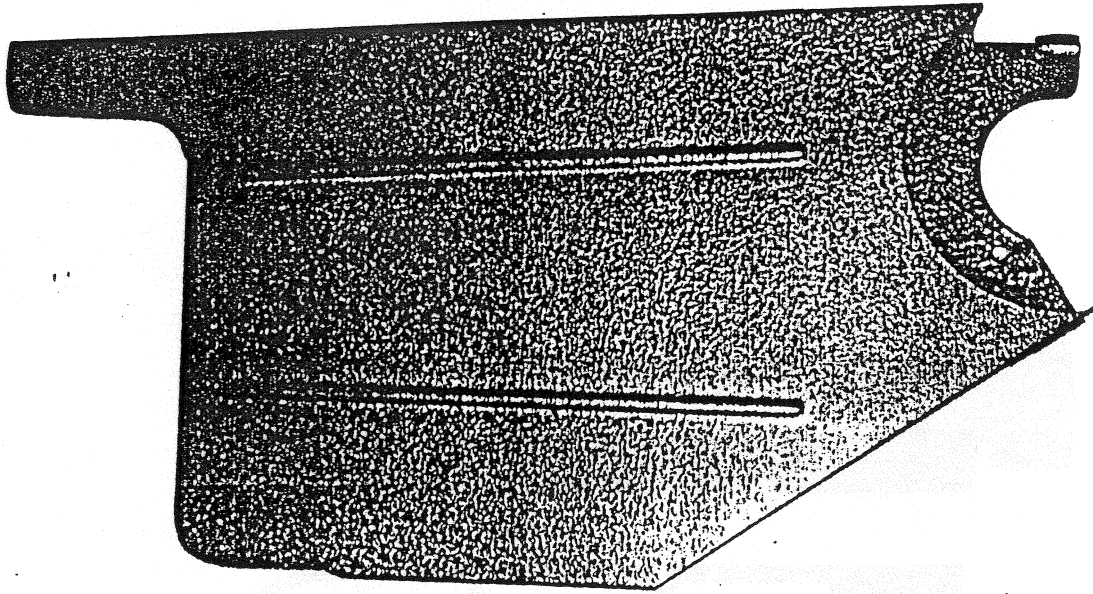
8040

9

ベルトガード

0.0

13425



13427



50103



50099



114024



6339

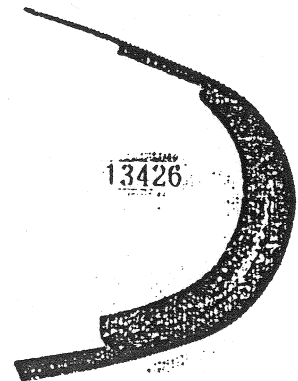
11142

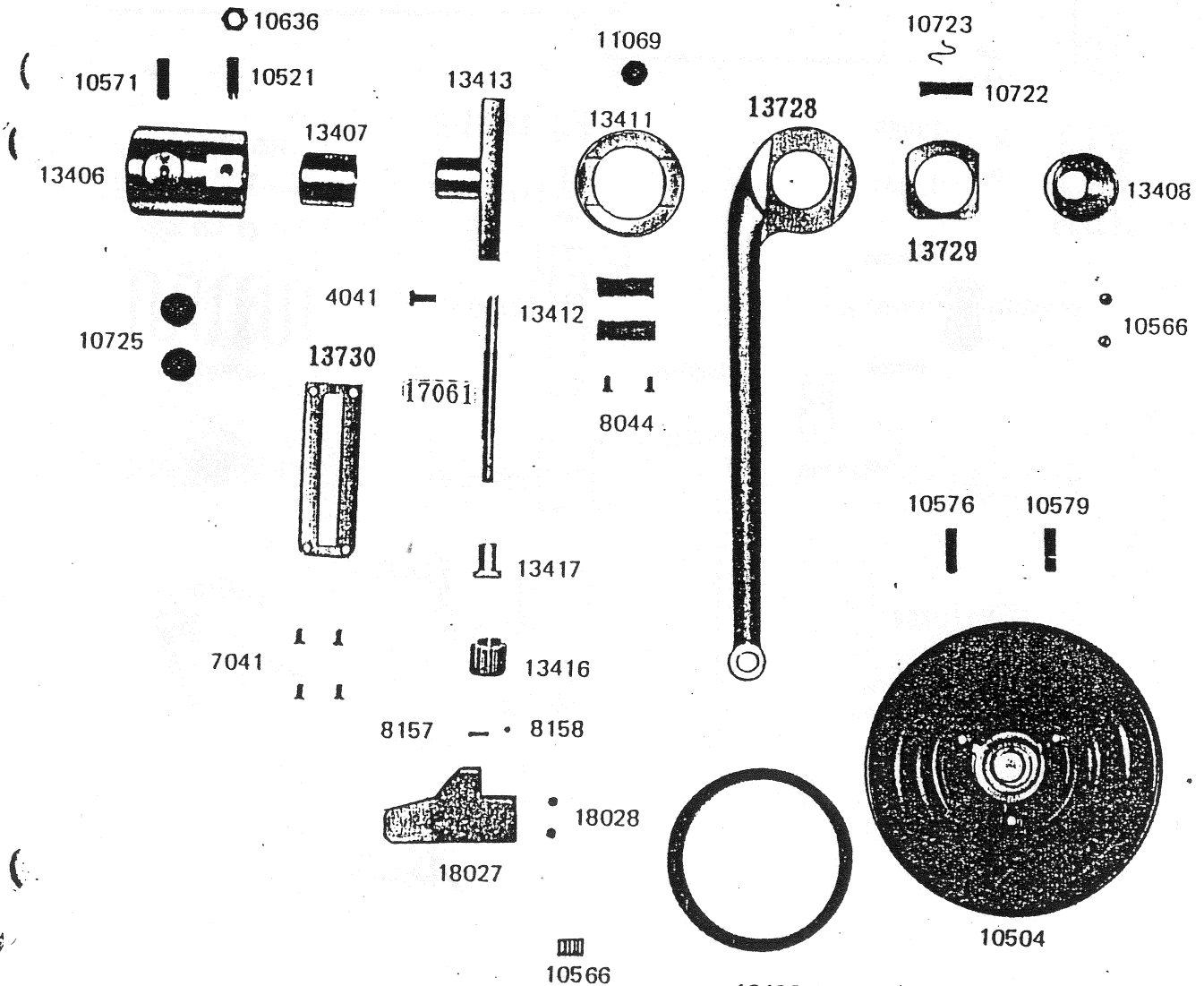
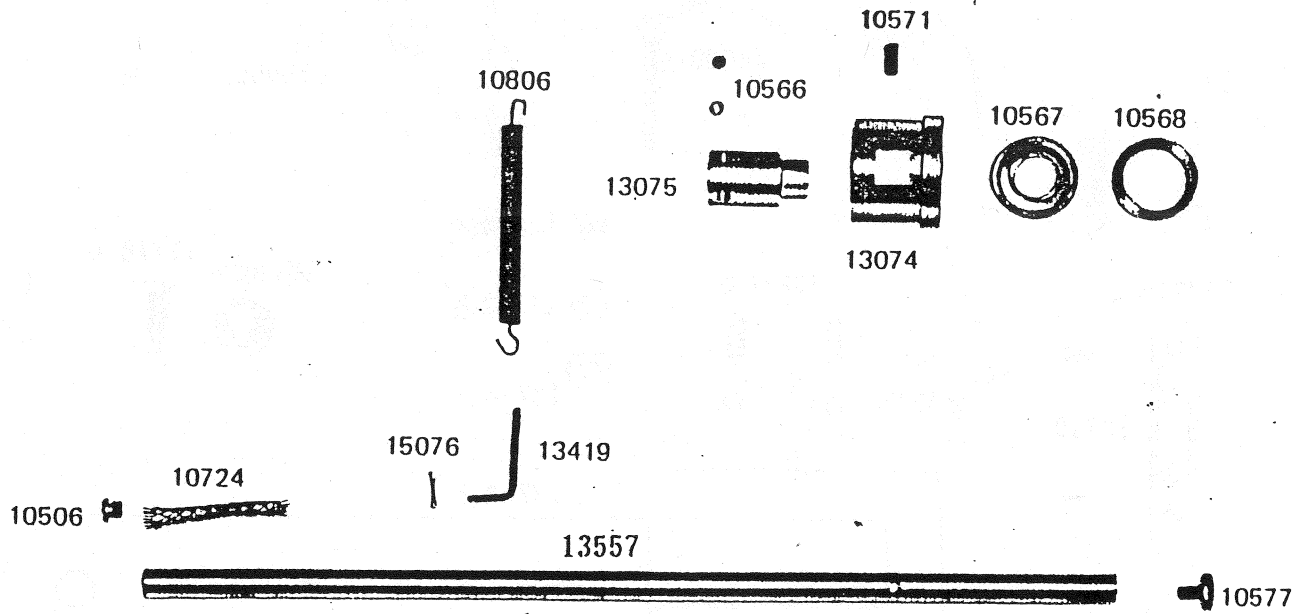


10561

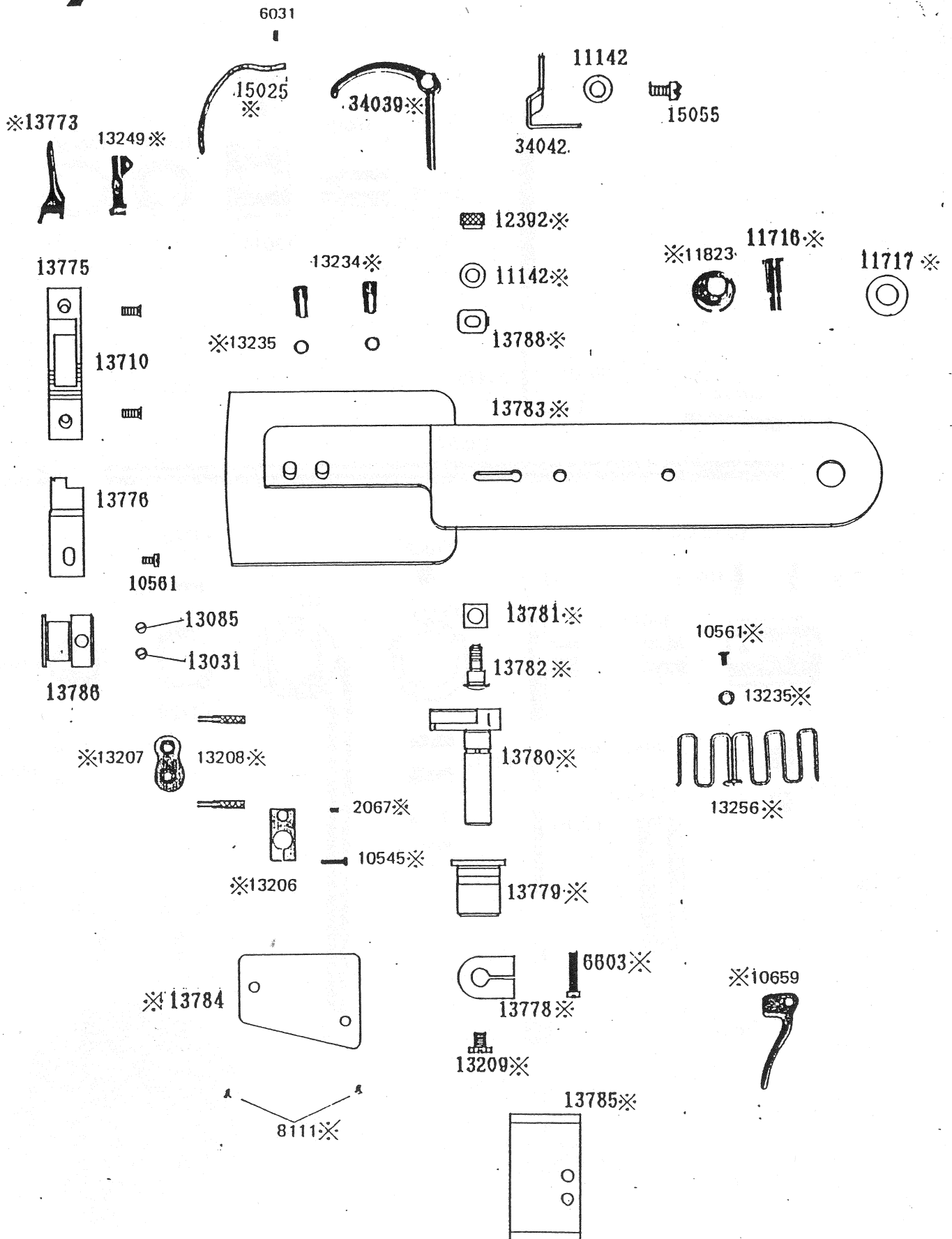


13426





13423 A ... Use with guard A ... ガード付用
 B ... Use without guard B ... ガード無用



Consolidated Sewing Machine Corp.

MAIN OFFICE

131 West 25th Street
New York, NY 10001
Tel: (212) 741-7788
Fax: (212) 741-7787

BRANCH OFFICE

7855 NW 29th Street, Bay 166
Miami, FL 33122
Tel: (305) 471-0200
Fax: (305) 471-0243